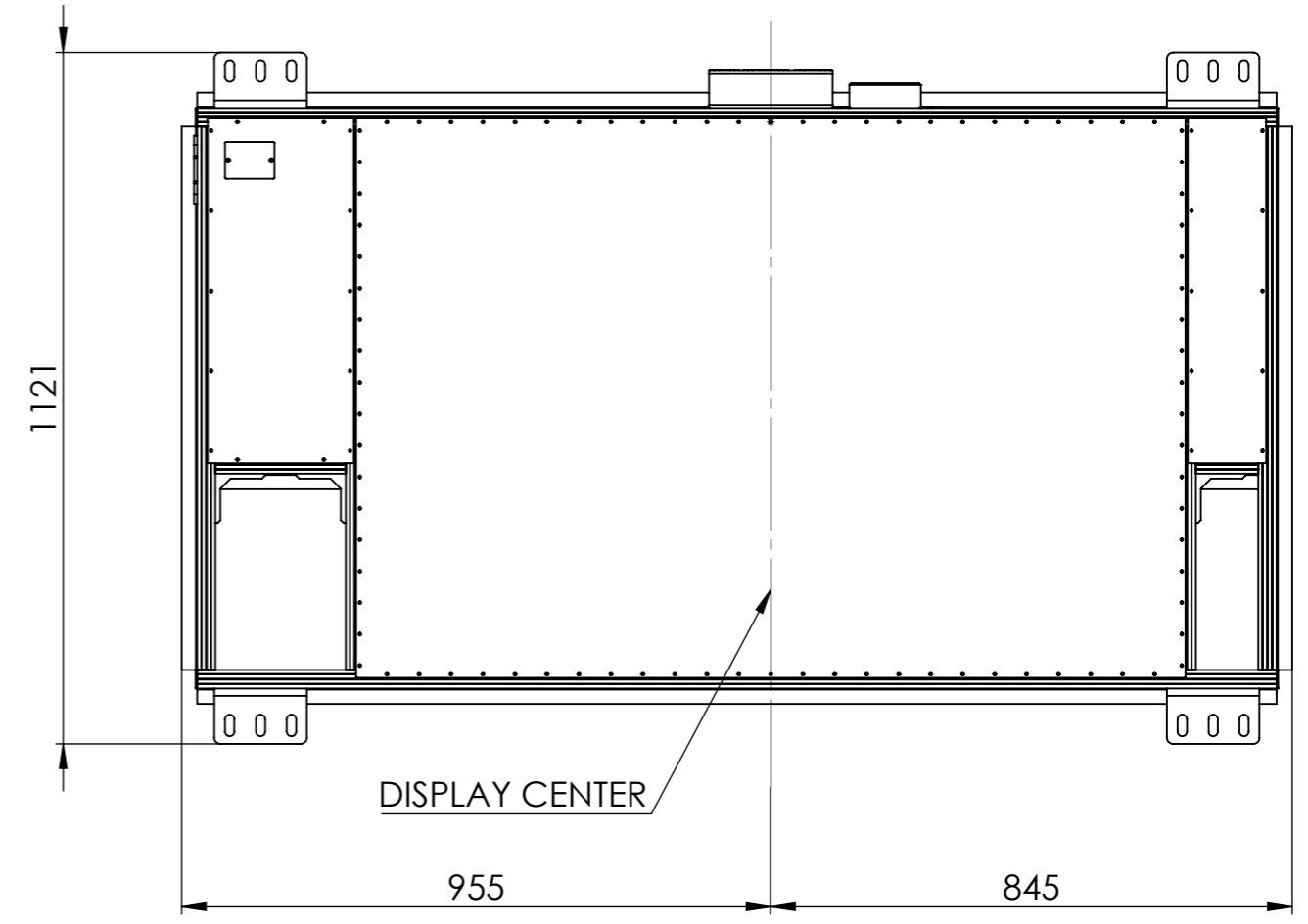
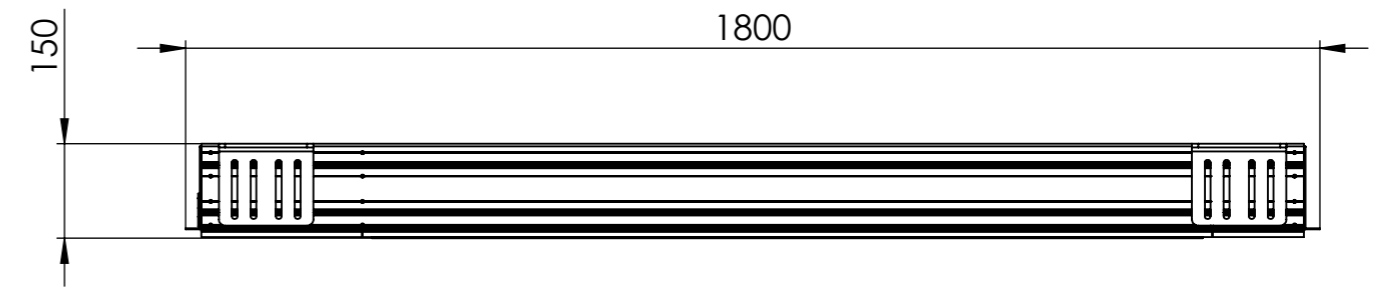
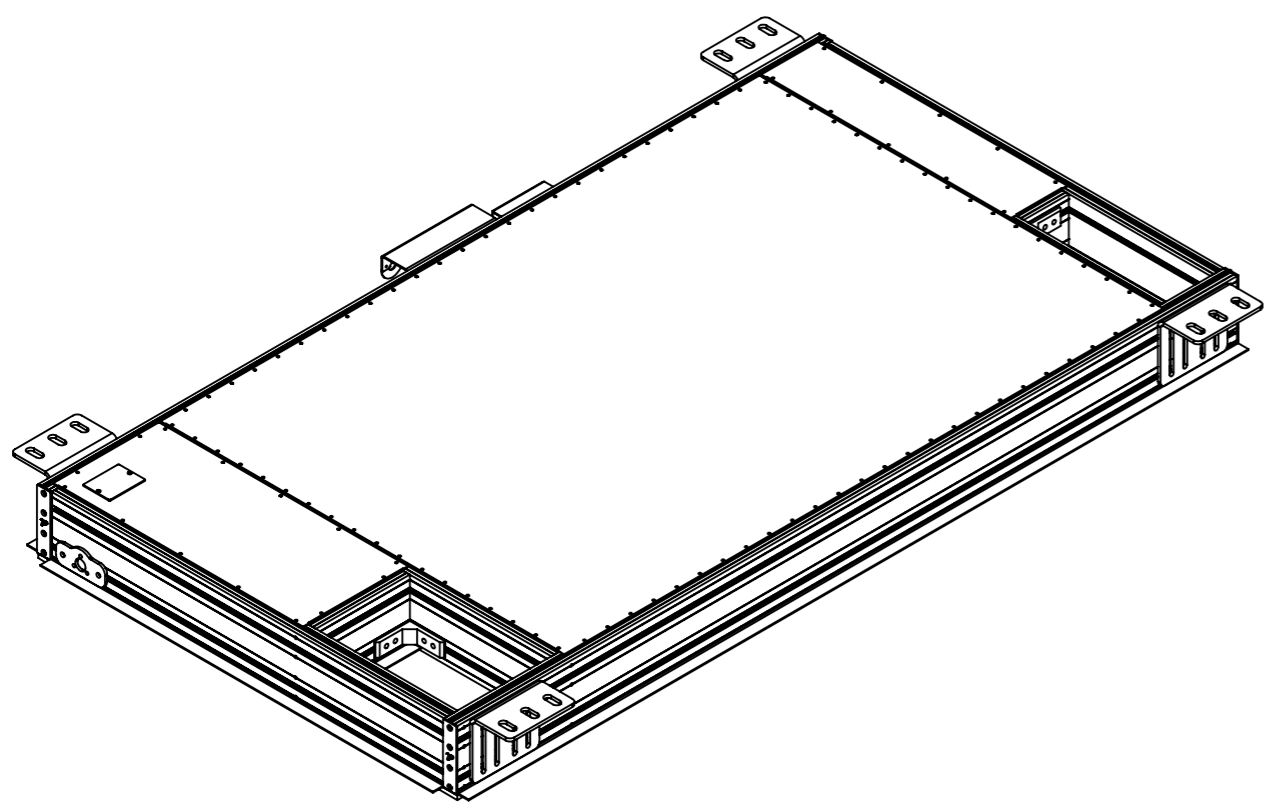


1 2 3 4 5 6 7 8

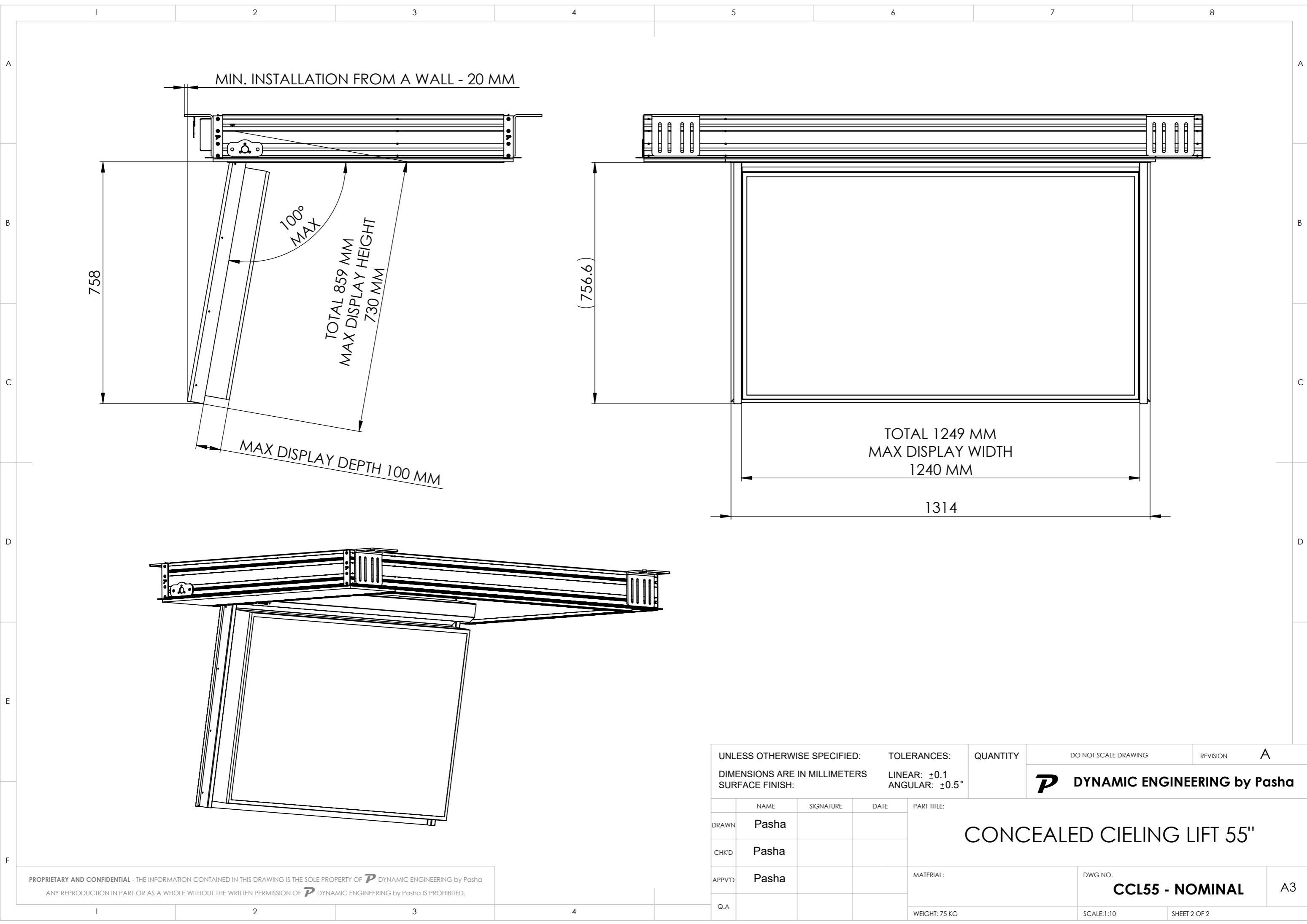
A
B
C
D
E
F



UNLESS OTHERWISE SPECIFIED:		TOLERANCES:		QUANTITY	DO NOT SCALE DRAWING	REVISION	A
DIMENSIONS ARE IN MILLIMETERS		LINEAR: ±0.1					
SURFACE FINISH:		ANGULAR: ±0.5°					
NAME	SIGNATURE	DATE	PART TITLE:				
DRAWN	Pasha		CONCEALED CIELING LIFT 55"				
CHK'D	Pasha						
APPVD	Pasha		MATERIAL:	DWG NO.	CCL55 - NOMINAL		A3
Q.A			WEIGHT: 65 KG	SCALE: 1:20	SHEET 1 OF 2		

PROPRIETARY AND CONFIDENTIAL - THE INFORMATION CONTAINED IN THIS DRAWING IS THE SOLE PROPERTY OF P DYNAMIC ENGINEERING by Pasha
 ANY REPRODUCTION IN PART OR AS A WHOLE WITHOUT THE WRITTEN PERMISSION OF P DYNAMIC ENGINEERING by Pasha IS PROHIBITED.

1 2 3 4



MIN. INSTALLATION FROM A WALL - 20 MM

758

100°
MAX

TOTAL 859 MM
MAX DISPLAY HEIGHT
730 MM

MAX DISPLAY DEPTH 100 MM

(756.6)

TOTAL 1249 MM
MAX DISPLAY WIDTH
1240 MM

1314

UNLESS OTHERWISE SPECIFIED:
DIMENSIONS ARE IN MILLIMETERS
SURFACE FINISH:

TOLERANCES:
LINEAR: ±0.1
ANGULAR: ±0.5°

QUANTITY

DO NOT SCALE DRAWING

REVISION

A

P DYNAMIC ENGINEERING by Pasha

	NAME	SIGNATURE	DATE	PART TITLE:
DRAWN	Pasha			CONCEALED CIELING LIFT 55"
CHK'D	Pasha			
APPVD	Pasha			
Q.A				

MATERIAL:

DWG NO.

CCL55 - NOMINAL

A3

WEIGHT: 75 KG

SCALE:1:10

SHEET 2 OF 2

PROPRIETARY AND CONFIDENTIAL - THE INFORMATION CONTAINED IN THIS DRAWING IS THE SOLE PROPERTY OF **P DYNAMIC ENGINEERING by Pasha**
ANY REPRODUCTION IN PART OR AS A WHOLE WITHOUT THE WRITTEN PERMISSION OF **P DYNAMIC ENGINEERING by Pasha** IS PROHIBITED.