

1 2 3 4 5 6 7 8

A A

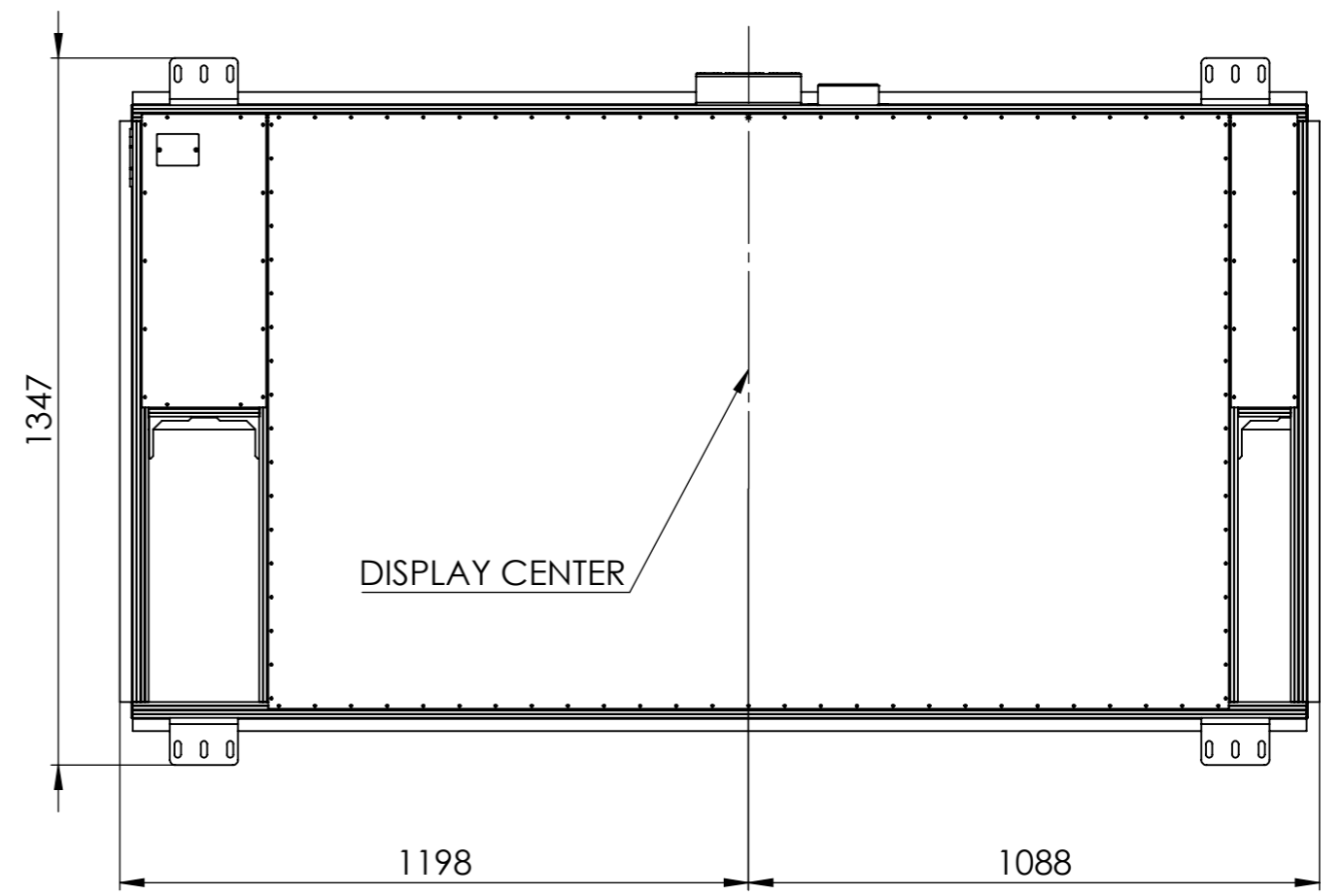
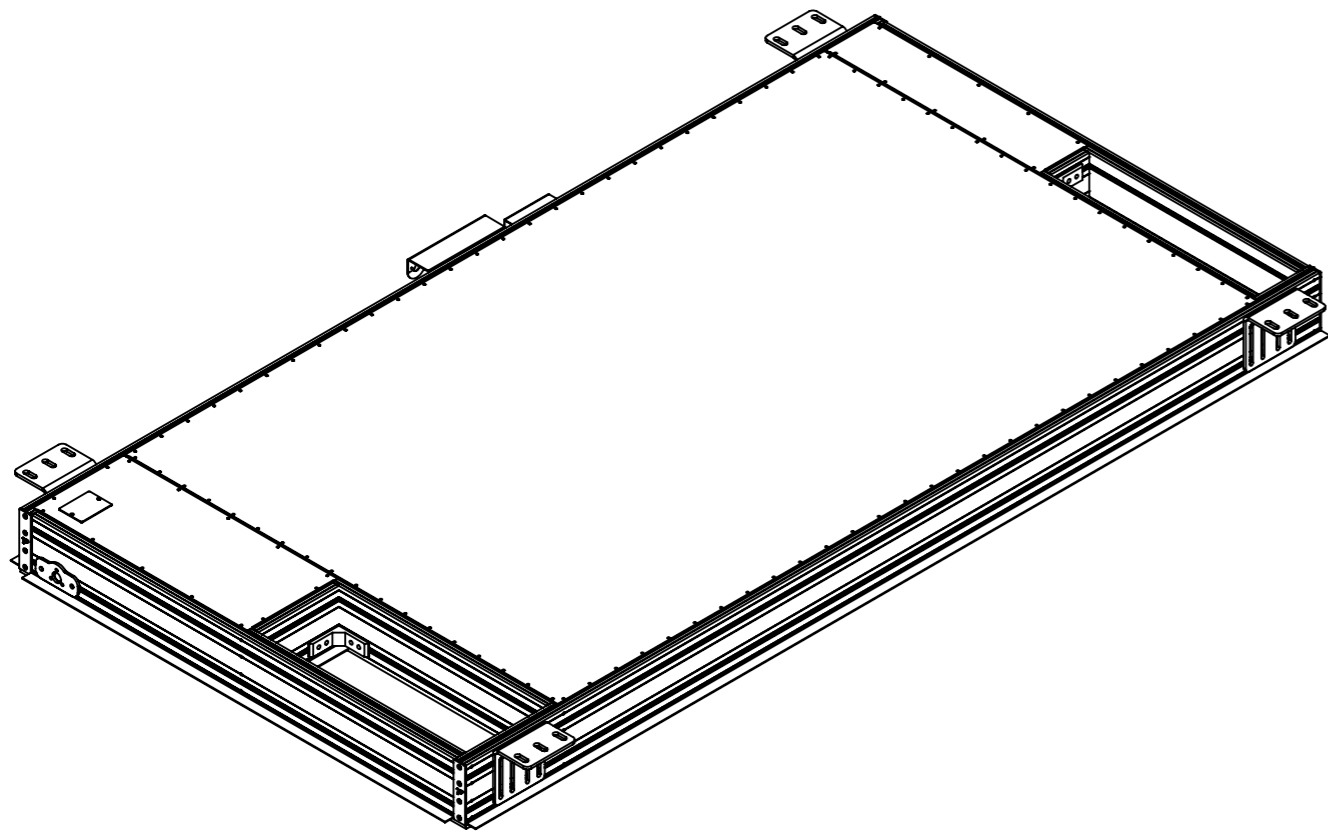
B B

C C

D D

E E

F F

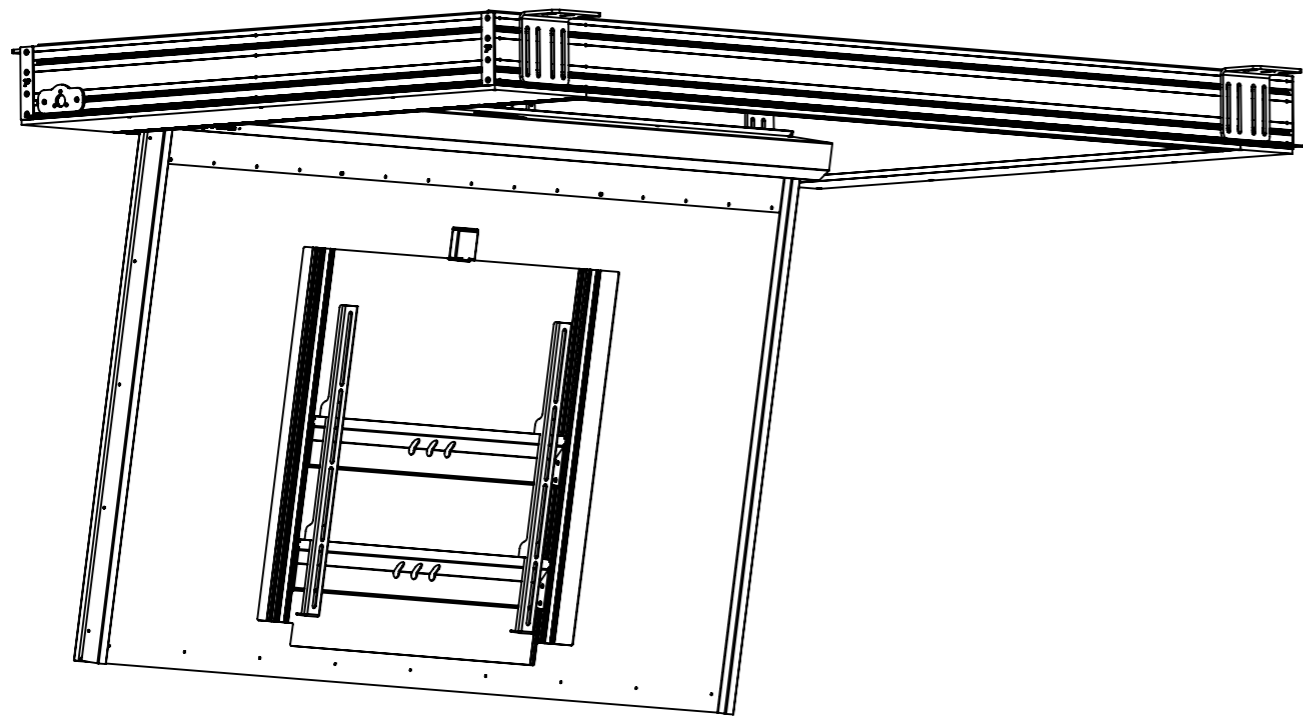
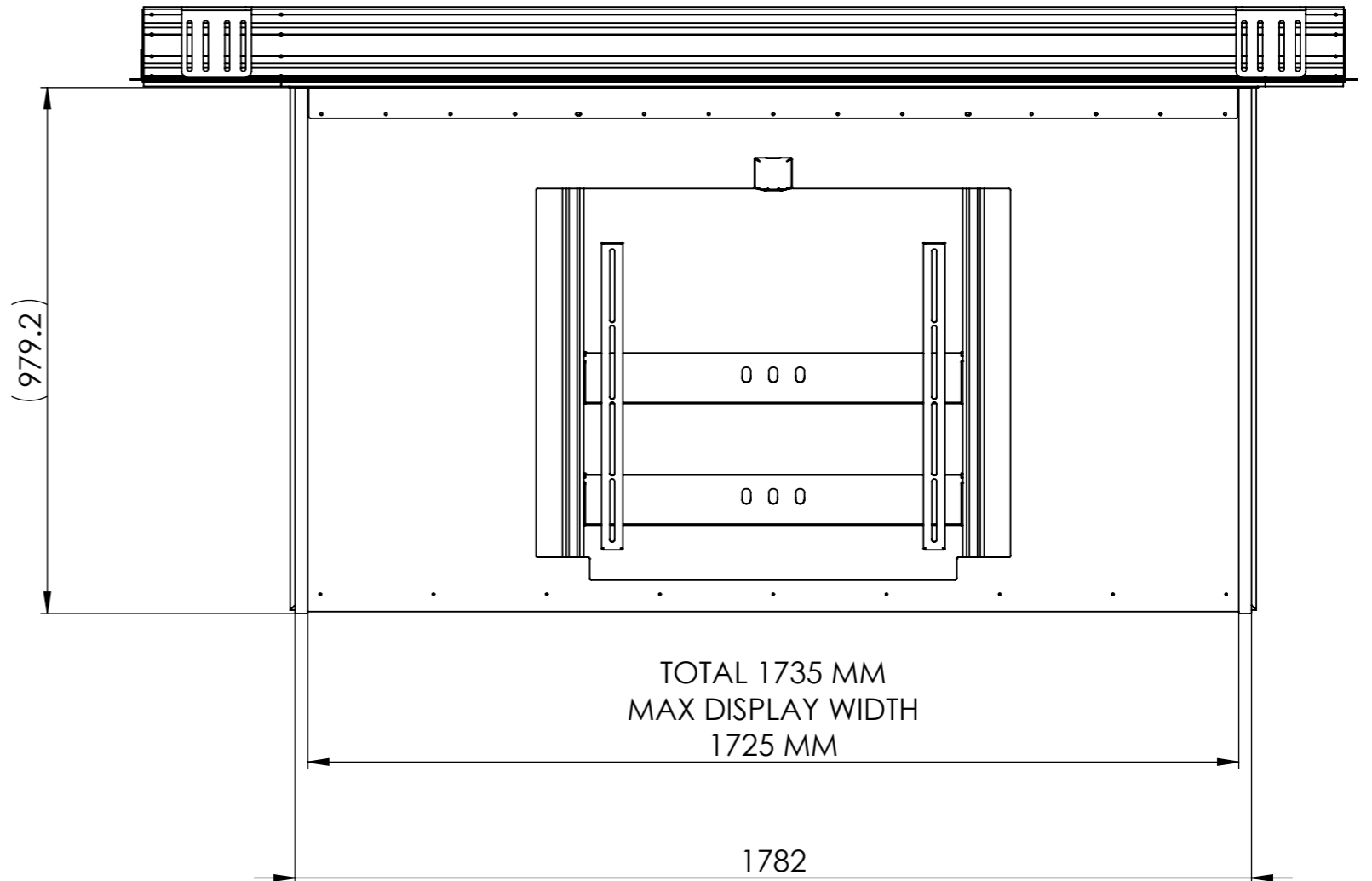
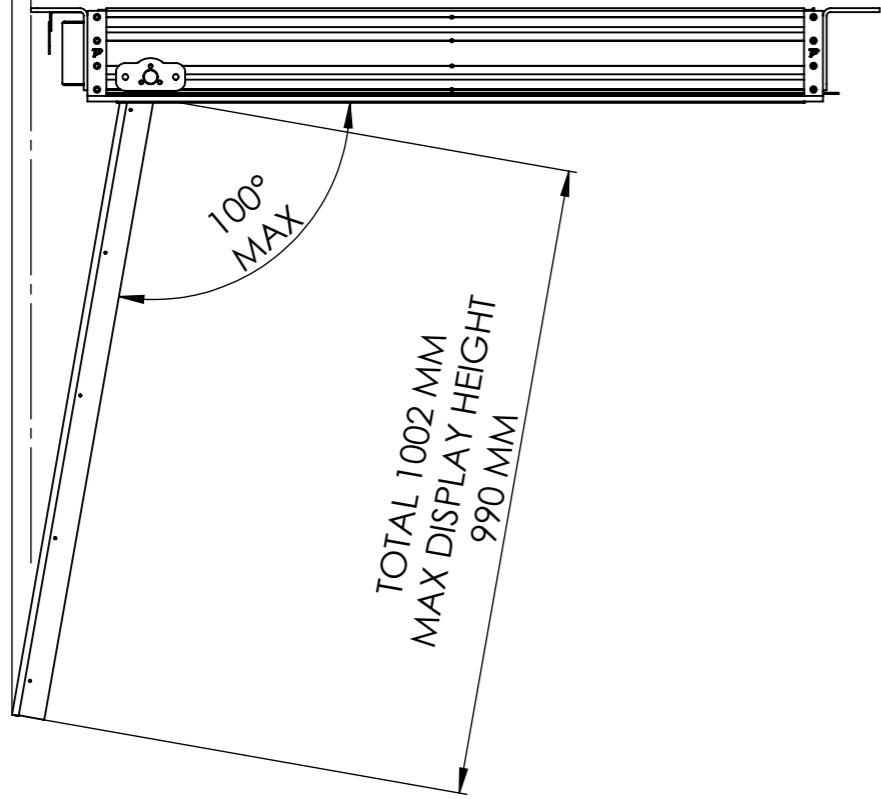


PROPRIETARY AND CONFIDENTIAL - THE INFORMATION CONTAINED IN THIS DRAWING IS THE SOLE PROPERTY OF P DYNAMIC ENGINEERING by Pasha  
 ANY REPRODUCTION IN PART OR AS A WHOLE WITHOUT THE WRITTEN PERMISSION OF P DYNAMIC ENGINEERING by Pasha IS PROHIBITED.

UNLESS OTHERWISE SPECIFIED:		TOLERANCES:		QUANTITY	DO NOT SCALE DRAWING	REVISION	A
DIMENSIONS ARE IN MILLIMETERS		LINEAR: ±0.1					
SURFACE FINISH:		ANGULAR: ±0.5°					
NAME	SIGNATURE	DATE	PART TITLE:				
DRAWN	Pasha		<h2 style="text-align: center;">CONCEALED RECTRACTABLE          CIELING LIFT 75"</h2>				
CHK'D	Pasha						
APPVD	Pasha		MATERIAL:	DWG NO.	<h3 style="text-align: center;">CCL75 - NOMINAL</h3>		
Q.A			WEIGHT: 95 KG	SCALE: 1:14			

1 2 3 4

MIN. INSTALLATION FROM A WALL - 30



UNLESS OTHERWISE SPECIFIED:		TOLERANCES:		QUANTITY	DO NOT SCALE DRAWING	REVISION	A
DIMENSIONS ARE IN MILLIMETERS		LINEAR: ±0.1			<b>DYNAMIC ENGINEERING by Pasha</b>		
SURFACE FINISH:		ANGULAR: ±0.5°					
NAME	SIGNATURE	DATE	PART TITLE:				
DRAWN	Pasha		<h2>CONCEALED RECTRACTABLE CIELING LIFT 75"</h2>				
CHK'D	Pasha						
APPVD	Pasha		MATERIAL:		DWG NO.	A3	
Q.A.			WEIGHT: 95 KG		SCALE: 1:12	SHEET 2 OF 2	
					<b>CCL75 - NOMINAL</b>		

PROPRIETARY AND CONFIDENTIAL - THE INFORMATION CONTAINED IN THIS DRAWING IS THE SOLE PROPERTY OF P DYNAMIC ENGINEERING by Pasha  
ANY REPRODUCTION IN PART OR AS A WHOLE WITHOUT THE WRITTEN PERMISSION OF P DYNAMIC ENGINEERING by Pasha IS PROHIBITED.