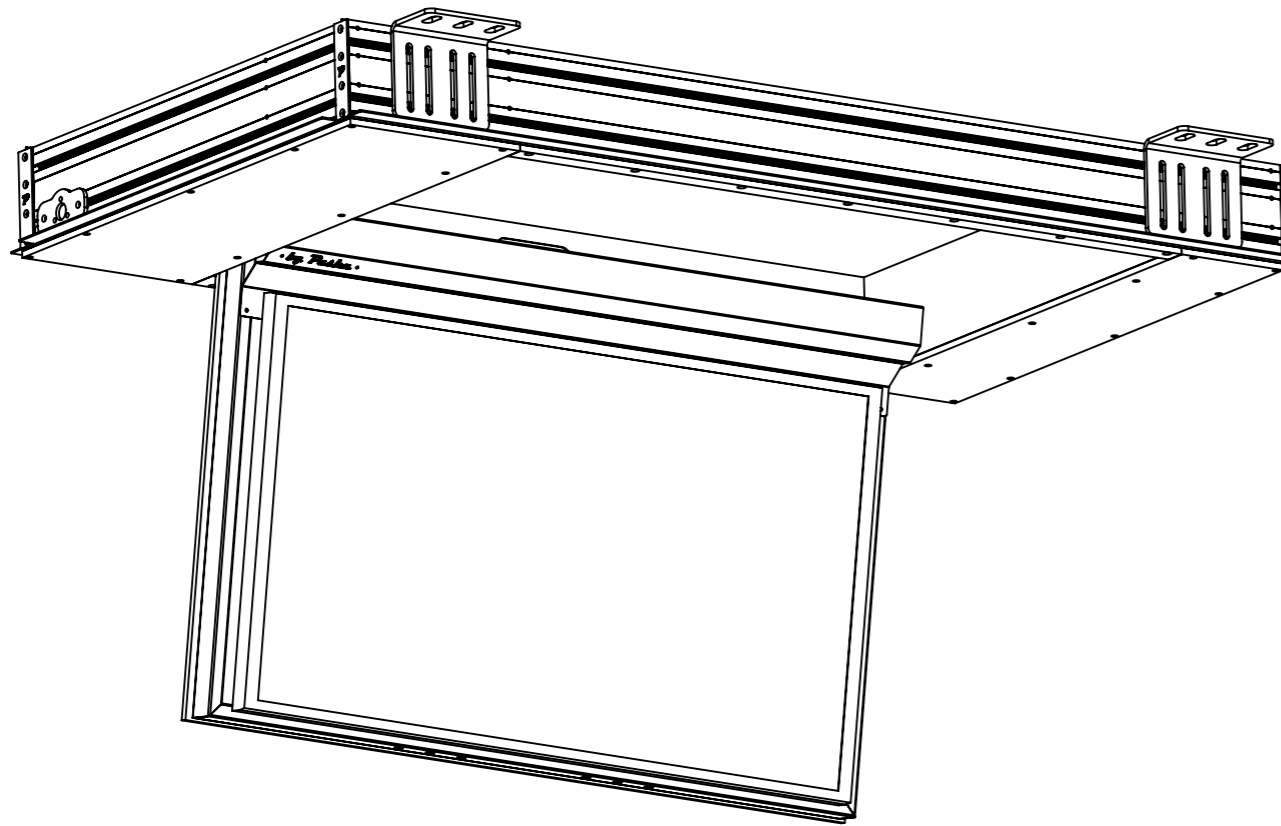
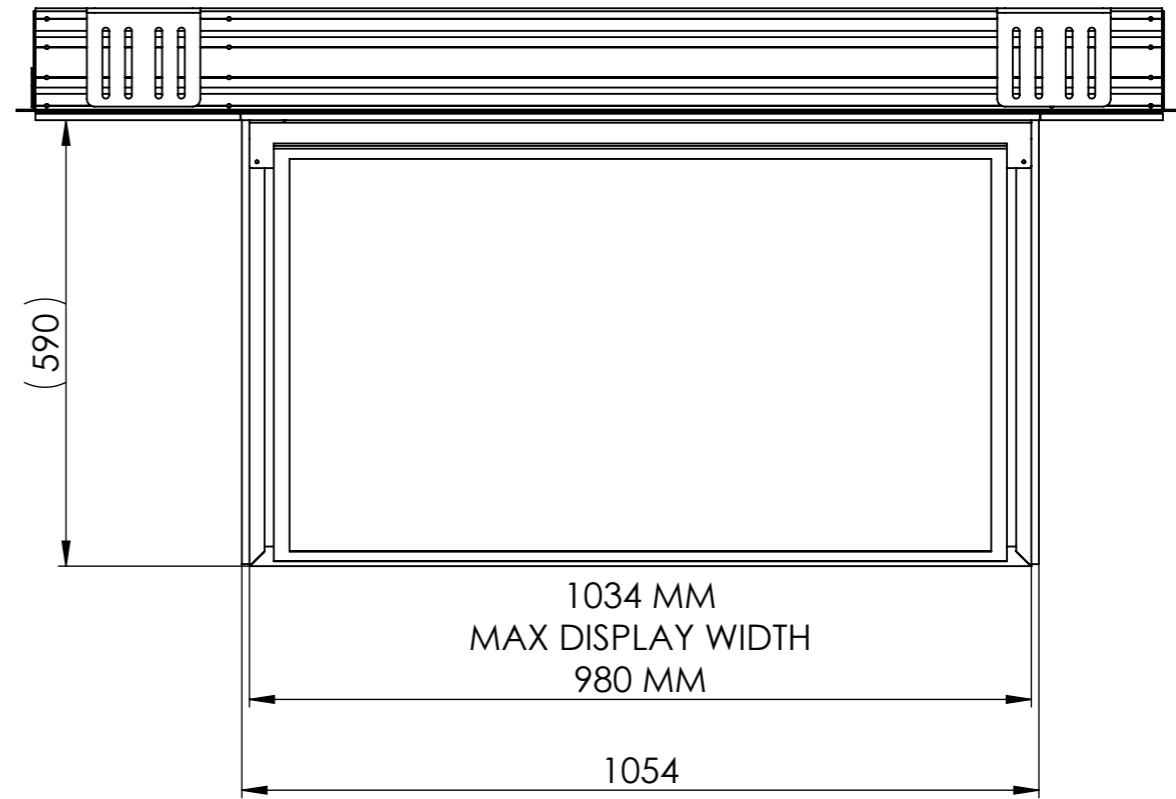
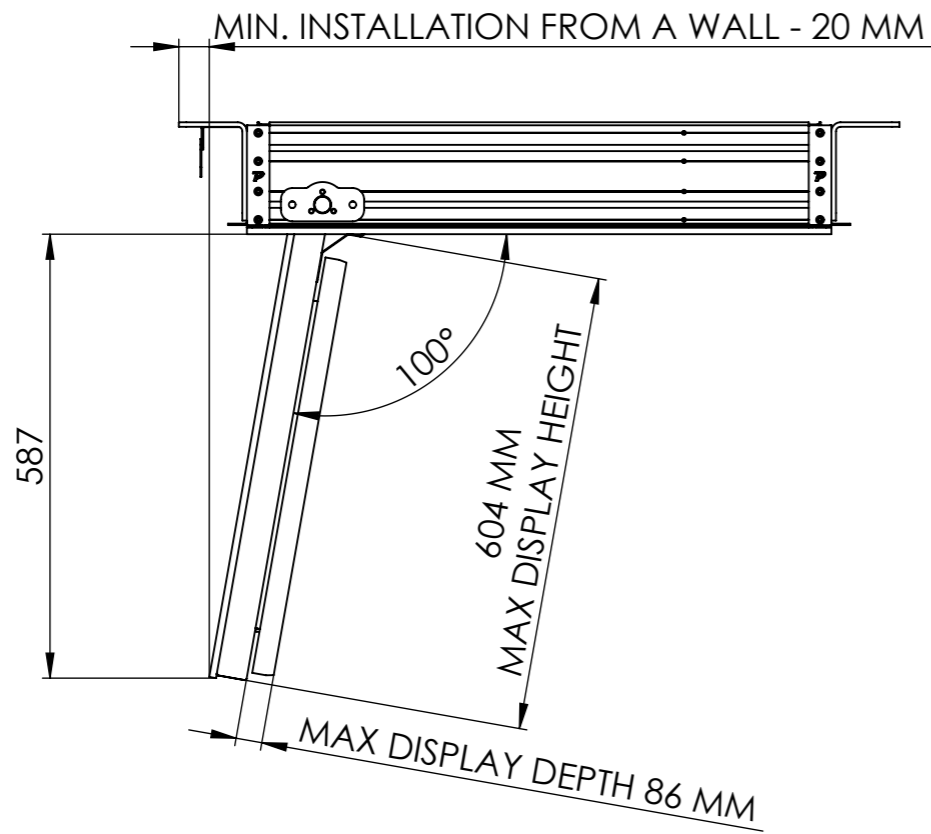


PROPRIETARY AND CONFIDENTIAL - THE INFORMATION CONTAINED IN THIS DRAWING IS THE SOLE PROPERTY OF P DYNAMIC ENGINEERING by Pasha
 ANY REPRODUCTION IN PART OR AS A WHOLE WITHOUT THE WRITTEN PERMISSION OF P DYNAMIC ENGINEERING by Pasha IS PROHIBITED.

UNLESS OTHERWISE SPECIFIED:		TOLERANCES:		QUANTITY	DO NOT SCALE DRAWING	REVISION	A
DIMENSIONS ARE IN MILLIMETERS		LINEAR: ± 0.1					
SURFACE FINISH:		ANGULAR: $\pm 0.5^\circ$					
NAME	SIGNATURE	DATE	PART TITLE:				
DRAWN	Pasha		CONCEALED CIELING LIFT 43"				
CHK'D	Pasha						
APPVD	Pasha		MATERIAL:		DWG NO.		A3
Q.A			WEIGHT: 65 KG		CCL43B - NOMINAL		
			SCALE: 1:1		SHEET 1 OF 2		



UNLESS OTHERWISE SPECIFIED:		TOLERANCES:		QUANTITY	DO NOT SCALE DRAWING	REVISION	A
DIMENSIONS ARE IN MILLIMETERS		LINEAR: ± 0.1					
SURFACE FINISH:		ANGULAR: $\pm 0.5^\circ$					
NAME	SIGNATURE	DATE	PART TITLE:				
DRAWN	Pasha		<h2>CONCEALED CIELING LIFT 43"</h2>				
CHK'D	Pasha						
APPVD	Pasha						
Q.A							
MATERIAL:				DWG NO.		A3	
				CCL43B - NOMINAL			
WEIGHT: 65 KG				SCALE: 1:1		SHEET 2 OF 2	

PROPRIETARY AND CONFIDENTIAL - THE INFORMATION CONTAINED IN THIS DRAWING IS THE SOLE PROPERTY OF P DYNAMIC ENGINEERING by Pasha
 ANY REPRODUCTION IN PART OR AS A WHOLE WITHOUT THE WRITTEN PERMISSION OF P DYNAMIC ENGINEERING by Pasha IS PROHIBITED.