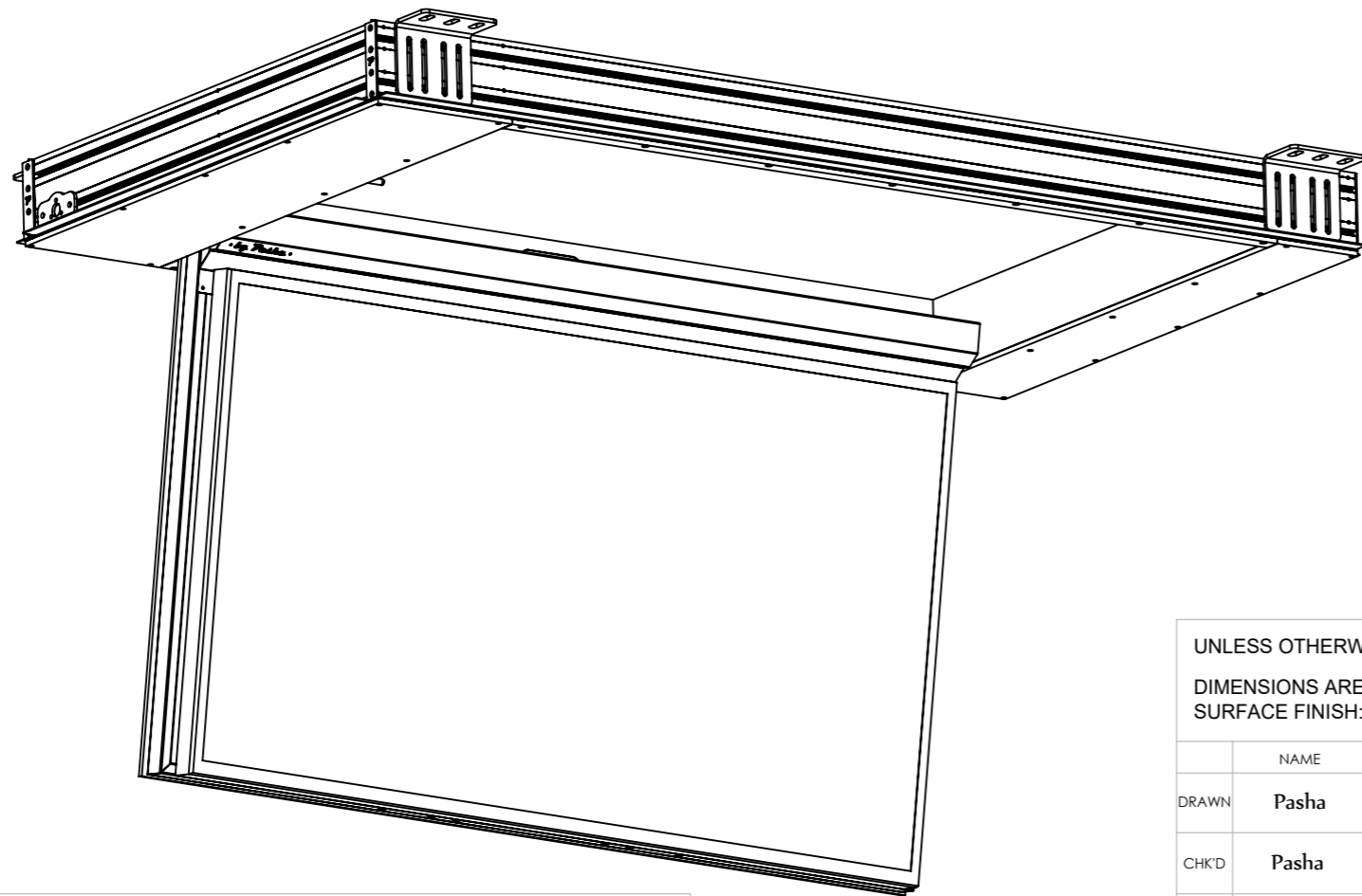
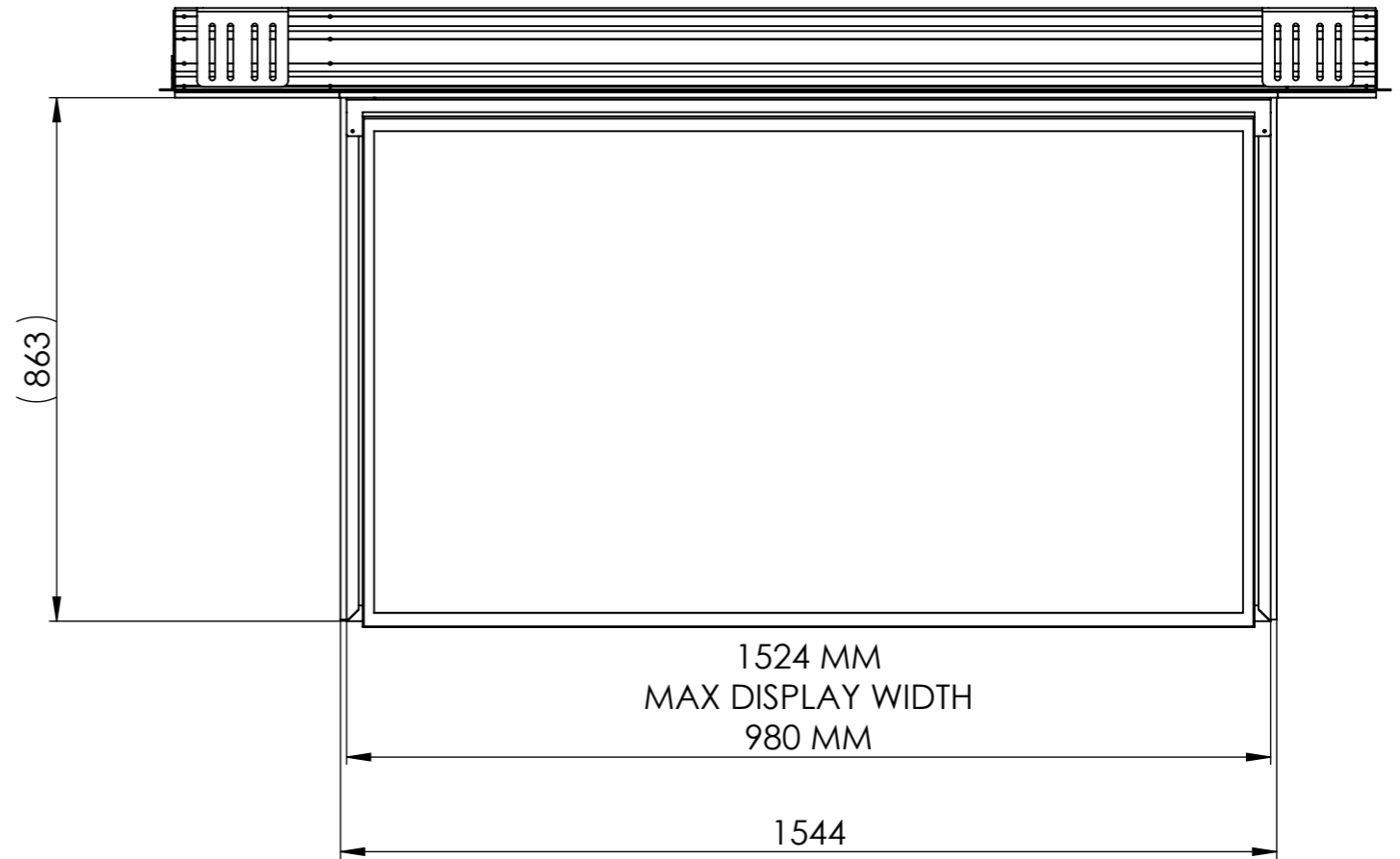
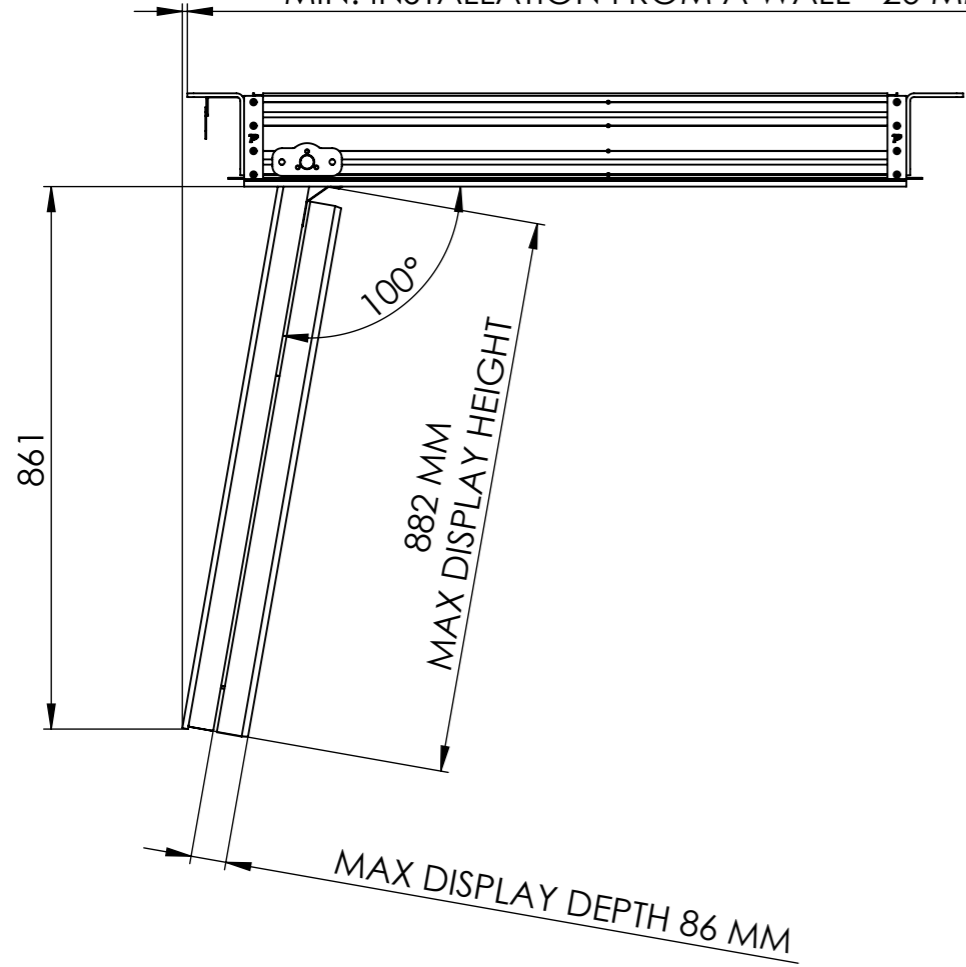


UNLESS OTHERWISE SPECIFIED:		TOLERANCES:		QUANTITY	DO NOT SCALE DRAWING	REVISION	A
DIMENSIONS ARE IN MILLIMETERS		LINEAR: ± 0.1					
SURFACE FINISH:		ANGULAR: $\pm 0.5^\circ$					
	NAME	SIGNATURE	DATE	PART TITLE:			
DRAWN	Pasha			CONCEALED CIELING LIFT 65"			
CHK'D	Pasha						
APPVD	Pasha			MATERIAL:	DWG NO.	A3	
Q.A.				WEIGHT: 65 KG	SCALE: 1:1	SHEET 1 OF 2	
					CCL65B - NOMINAL		

PROPRIETARY AND CONFIDENTIAL - THE INFORMATION CONTAINED IN THIS DRAWING IS THE SOLE PROPERTY OF P DYNAMIC ENGINEERING by Pasha
 ANY REPRODUCTION IN PART OR AS A WHOLE WITHOUT THE WRITTEN PERMISSION OF P DYNAMIC ENGINEERING by Pasha IS PROHIBITED.

MIN. INSTALLATION FROM A WALL - 20 MM



PROPRIETARY AND CONFIDENTIAL - THE INFORMATION CONTAINED IN THIS DRAWING IS THE SOLE PROPERTY OF P DYNAMIC ENGINEERING by Pasha
 ANY REPRODUCTION IN PART OR AS A WHOLE WITHOUT THE WRITTEN PERMISSION OF P DYNAMIC ENGINEERING by Pasha IS PROHIBITED.

UNLESS OTHERWISE SPECIFIED:		TOLERANCES:		QUANTITY	DO NOT SCALE DRAWING	REVISION	A
DIMENSIONS ARE IN MILLIMETERS		LINEAR: ±0.1					
SURFACE FINISH:		ANGULAR: ±0.5°					
NAME	SIGNATURE	DATE	PART TITLE:				
DRAWN	Pasha		<h2 style="text-align: center;">CONCEALED CIELING LIFT 65"</h2>				
CHK'D	Pasha						
APPVD	Pasha						
Q.A							
MATERIAL:				DWG NO.		A3	
				CCL65B - NOMINAL			
WEIGHT: 65 KG				SCALE:1:1		SHEET 2 OF 2	