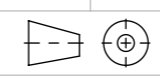
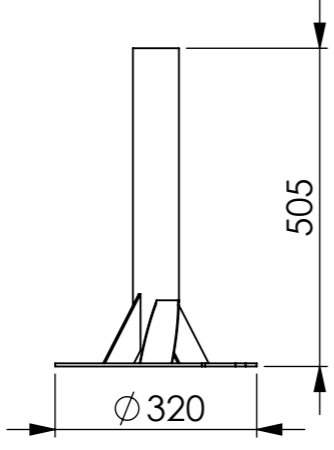
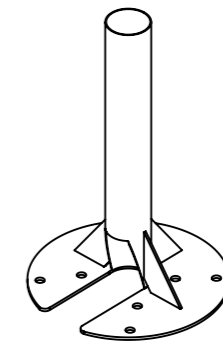
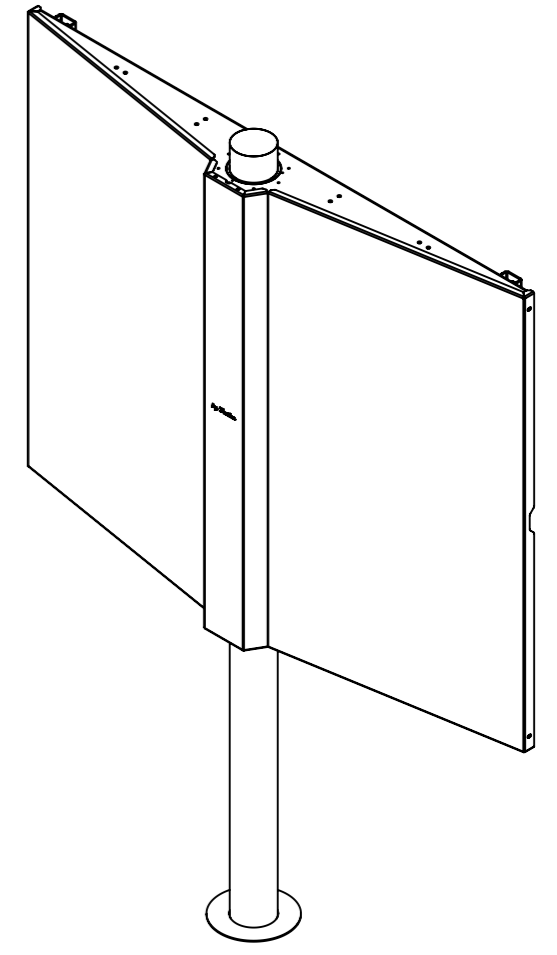
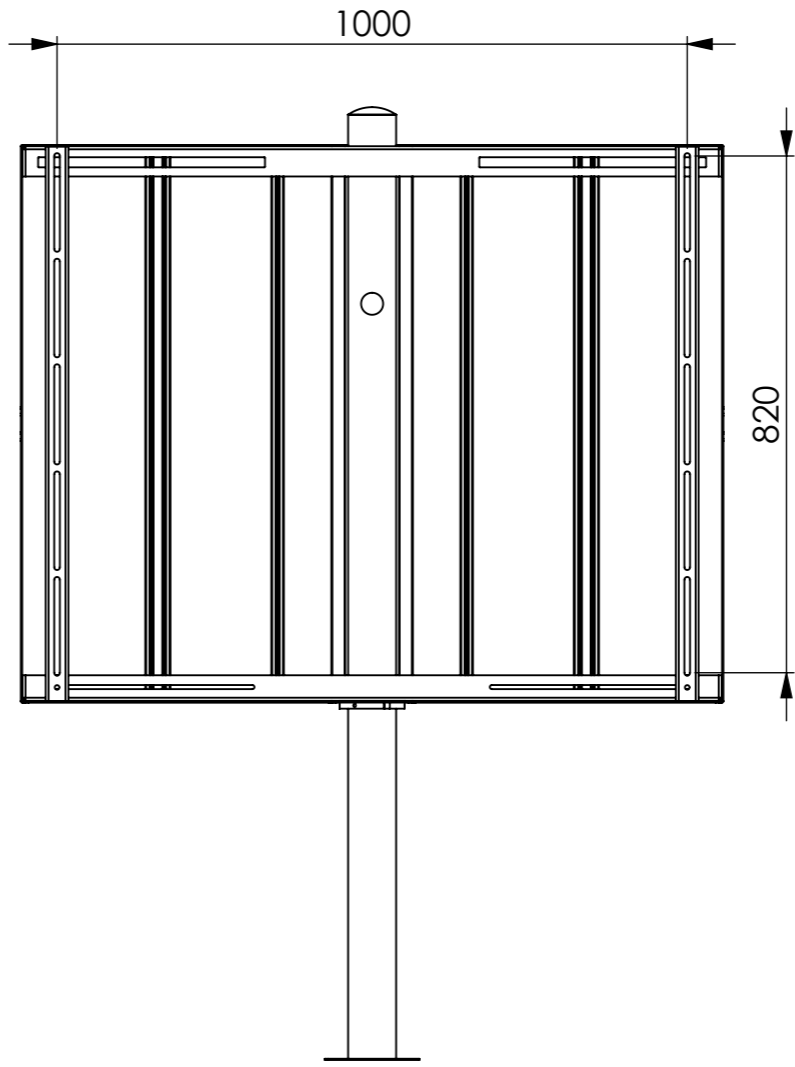
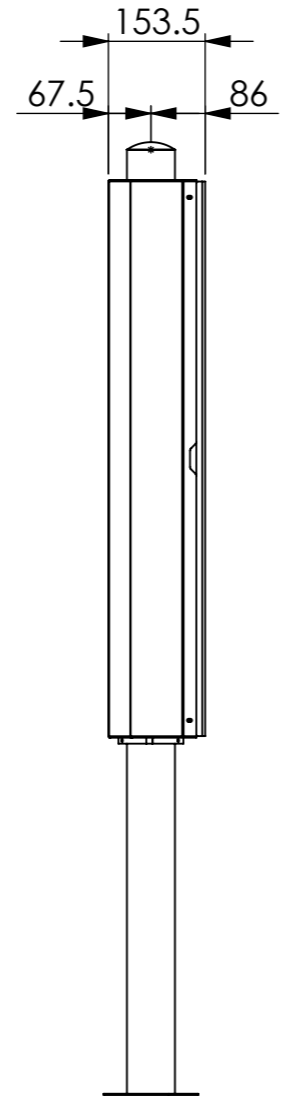
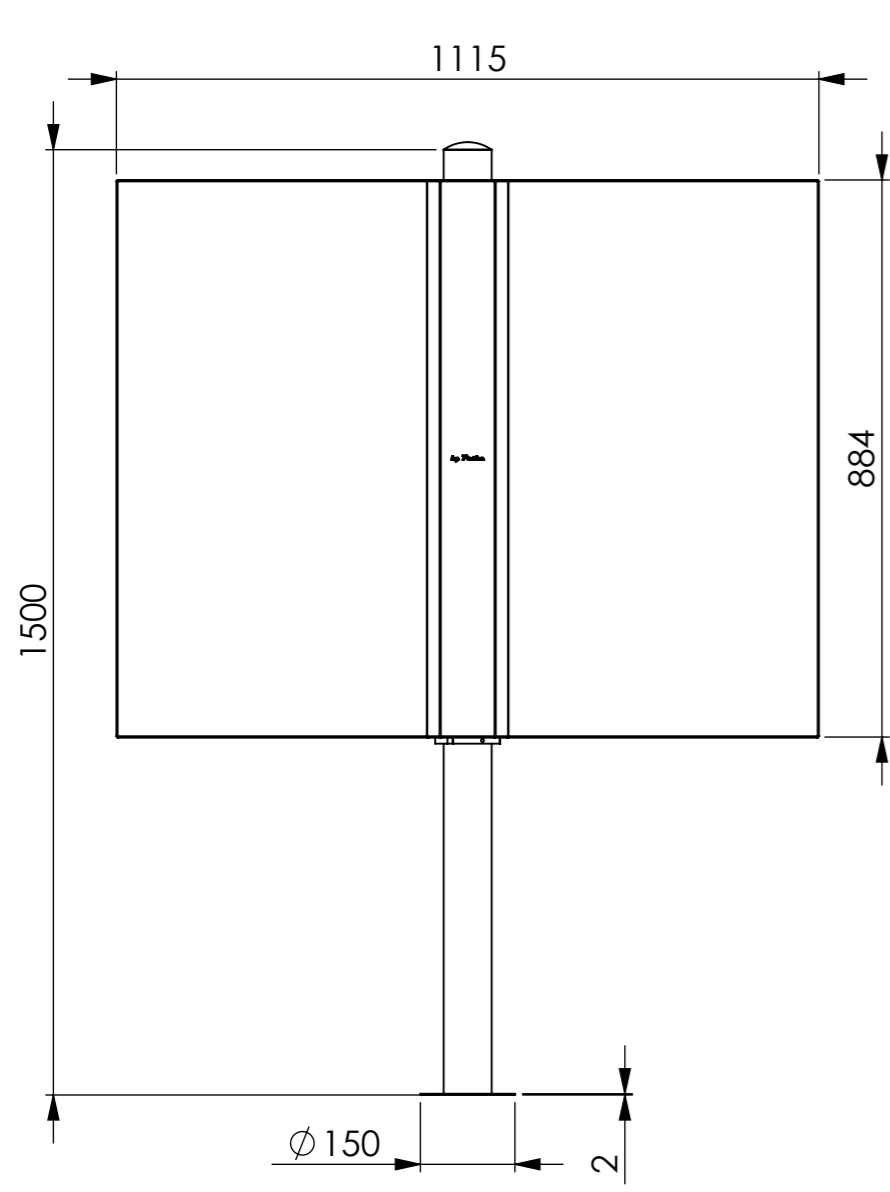


UNLESS OTHERWISE SPECIFIED:		TOLERANCES:		QUANTITY	DO NOT SCALE DRAWING	REVISION	A
DIMENSIONS ARE IN MILLIMETERS		LINEAR: ± 0.1		1	DYNAMIC ENGINEERING by Pasha		
SURFACE FINISH:		ANGULAR: $\pm 0.5^\circ$					
	NAME	SIGNATURE	DATE	PART TITLE:			
DRAWN	Uday		26/01/2026	<h2>Premium Floor Mounted Column for 98</h2>			
CHK'D	Pasha		26/01/2026				
APPVD	Pasha		26/01/2026				
				MATERIAL:	DWG NO.	A3	
					Premium Floor Mounted Column for 98		
					SCALE: 1:12	SHEET 1 OF 2	

PROPRIETARY AND CONFIDENTIAL - THE INFORMATION CONTAINED IN THIS DRAWING IS THE SOLE PROPERTY OF **P** DYNAMIC ENGINEERING by Pasha. ANY REPRODUCTION IN PART OR AS A WHOLE WITHOUT THE WRITTEN PERMISSION OF **P** DYNAMIC ENGINEERING by Pasha IS PROHIBITED.





UNLESS OTHERWISE SPECIFIED:		TOLERANCES:		QUANTITY	DO NOT SCALE DRAWING	REVISION	A
DIMENSIONS ARE IN MILLIMETERS		LINEAR: ± 0.1		1	P DYNAMIC ENGINEERING by Pasha		
SURFACE FINISH:		ANGULAR: $\pm 0.5^\circ$					
NAME	SIGNATURE	DATE	PART TITLE:				
DRAWN	Uday	26/01/2026	Premium Floor Mounted Column for 98				
CHK'D	Pasha	26/01/2026					
APPVD	Pasha	26/01/2026					
MATERIAL:			DWG NO.	Premium Floor Mounted Column for 98		A3	
			SCALE: 1:12	SHEET 2 OF 2			

PROPRIETARY AND CONFIDENTIAL - THE INFORMATION CONTAINED IN THIS DRAWING IS THE SOLE PROPERTY OF P DYNAMIC ENGINEERING by Pasha
 ANY REPRODUCTION IN PART OR AS A WHOLE WITHOUT THE WRITTEN PERMISSION OF P DYNAMIC ENGINEERING by Pasha IS PROHIBITED.